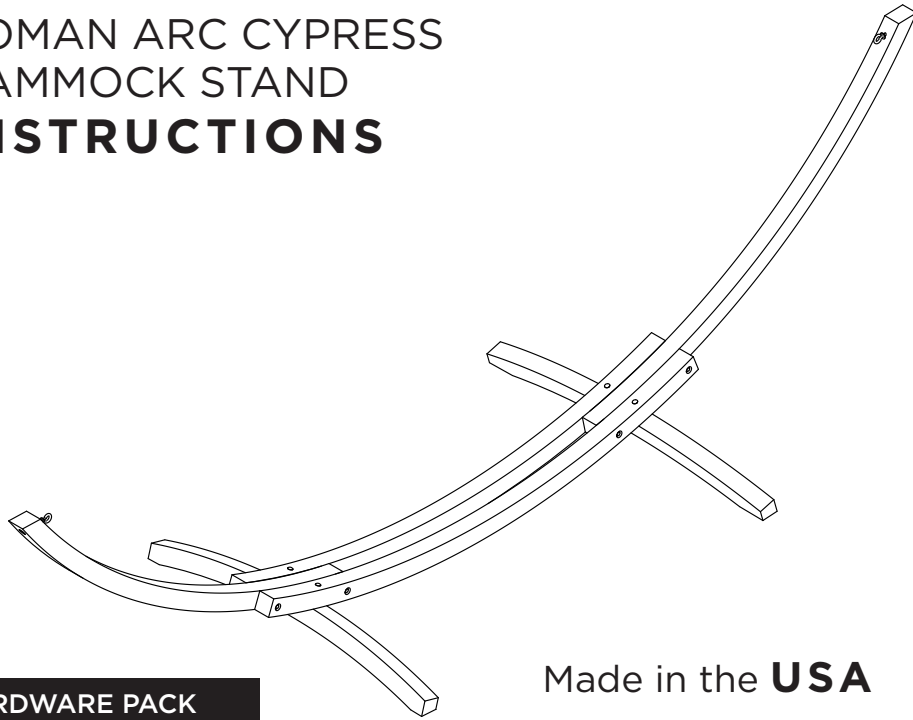


ROMAN ARC CYPRESS HAMMOCK STAND INSTRUCTIONS



HARDWARE PACK

Made in the **USA**

STAND PARTS

The hammock stand is shipped in two boxes. Stand parts and hardware pack contents listed below are per box. Stand parts and hardware packs from both boxes are required for assembly.

- CENTER BEAM (WITH FOUR COUNTERSUNK HOLES)
- FOOT BEAM (SHORTEST BEAM)
- END BEAM

SUGGESTED TOOLS

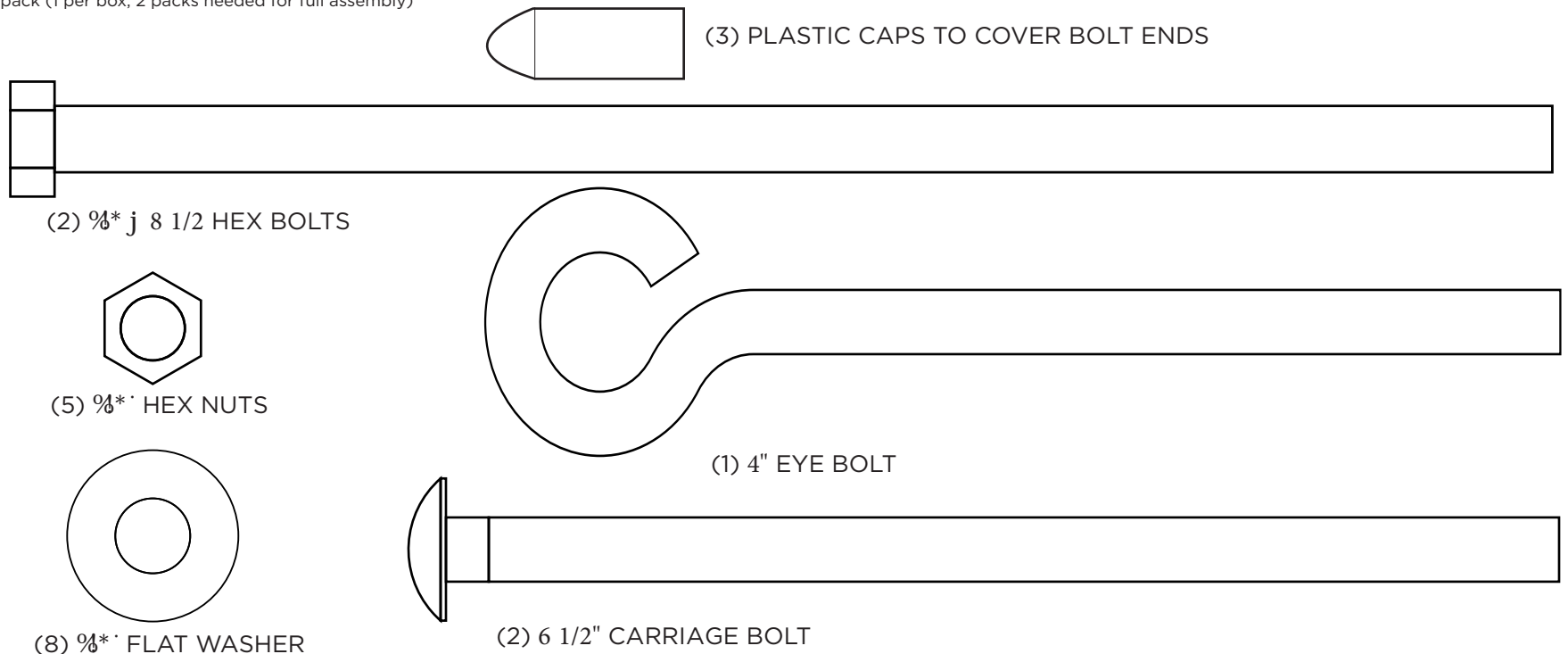
- RATCHET OR PLIERS (not included)
- SCREW DRIVER (not included)
- 1 (9/16") DEEP WELL SOCKET TOOL (included in each hardware kit)

CARE INSTRUCTIONS

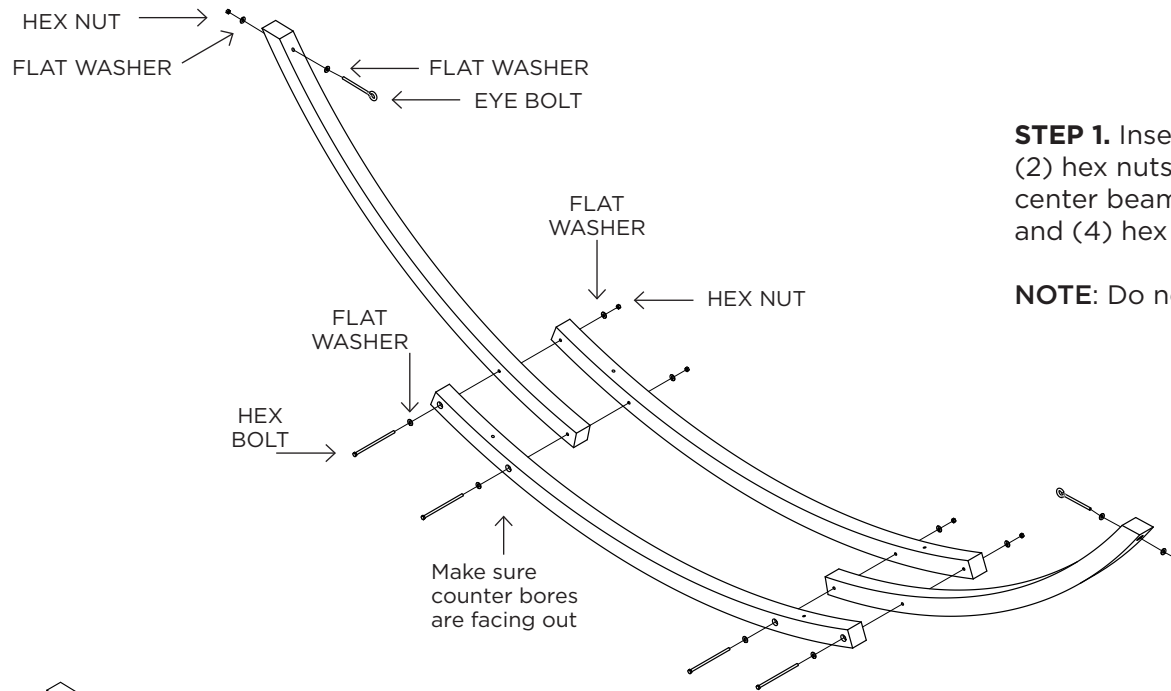
- Lightly sand once a year and add a coat of boiled linseed oil to keep the cypress wood in good condition.

NOTE: TWO PERSON ASSEMBLY SUGGESTED

Quantity per hardware pack (1 per box, 2 packs needed for full assembly)



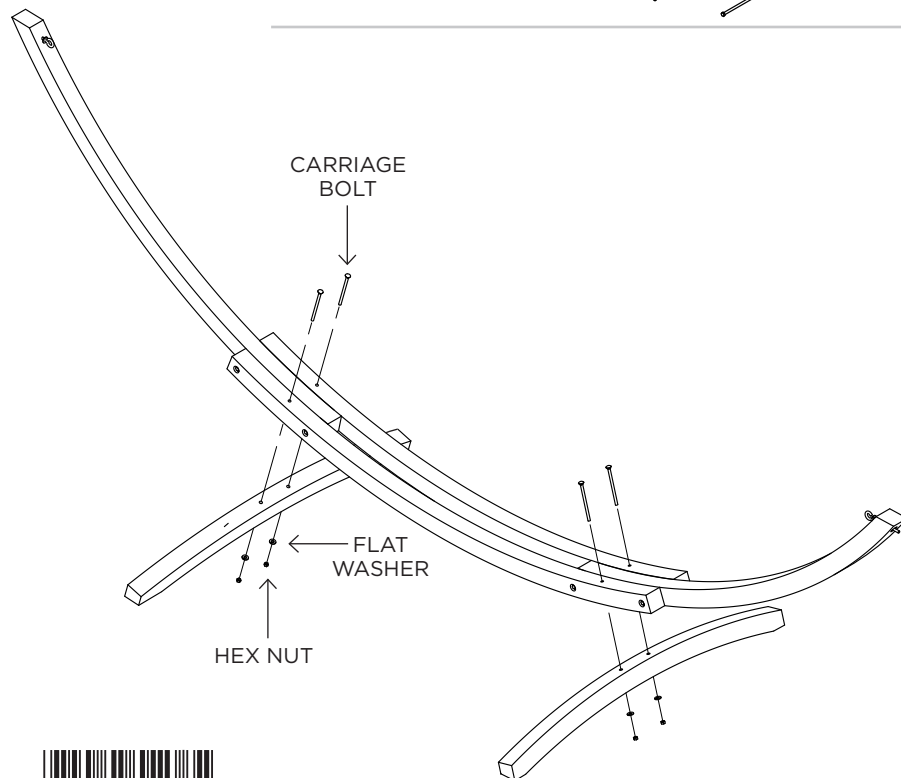
ASSEMBLY



STEP 1. Insert (2) eye bolts, (4) flat washers (two on each side), and (2) hex nuts into the top of the end section of beams. Loosely attach center beams to each end beam using (4) hex bolts, (8) flat washers, and (4) hex nuts like shown in the diagram.

NOTE: Do not tighten anything until all bolts are installed in step 2.

NOTE: Hex Bolts and Eye Bolts require a washer on each end. Carriage Bolts use a washer only on the nut end.



STEP 2. Position the assembly upright. To attach the feet, align the holes in each foot with the holes in the center beams. The slant on the base of the foot should angle the foot in towards the center of the stand. Insert (4) carriage bolts, (4) flat washers, and (4) hex nuts like shown in the diagram. **Tighten all bolts.**

NOTE. Recommended use of the three rubber/plastic caps provided, to cover the exposed ends of the eye bolt and hex bolts

DO NOT EXCEED LOAD LIMIT OF 600 LBS.
DO NOT ALLOW CHILDREN TO USE THE HAMMOCK WITHOUT DIRECT ADULT SUPERVISION. DO NOT HAVE INFANTS IN THE HAMMOCK.

Congratulations on purchasing this Roman Arc Cypress Hammock Stand. QUESTIONS REGARDING THIS PRODUCT? Call our customer service team, 252-758-0641.

WARRANTY INFORMATION:

Products of The Hammock Source are guaranteed to be free of defects in workmanship and materials for up to one year after the purchase date. Prolonged exposure to weather conditions including snow, rain, and humidity are not covered under the warranty nor is damage caused by normal wear, mildew, improper care including storage, maintenance, and installation. If an item is found to be defective within one year of its purchase, it will be replaced without charge upon the return of the unit accompanied by a sales receipt. A Return Authorization is needed for return and may be obtained by contacting 252-758-0641.

MAINTENANCE - Periodically check bolts after assembly and re-tighten when necessary.

